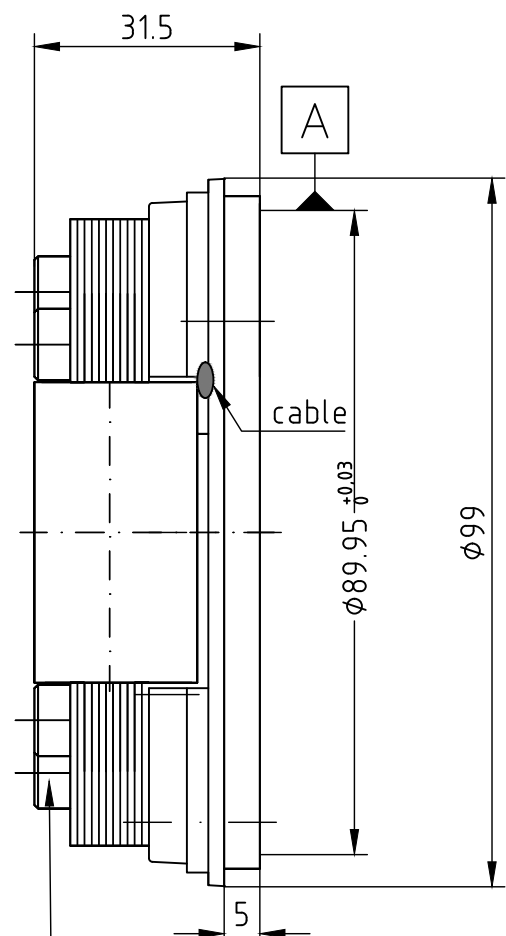
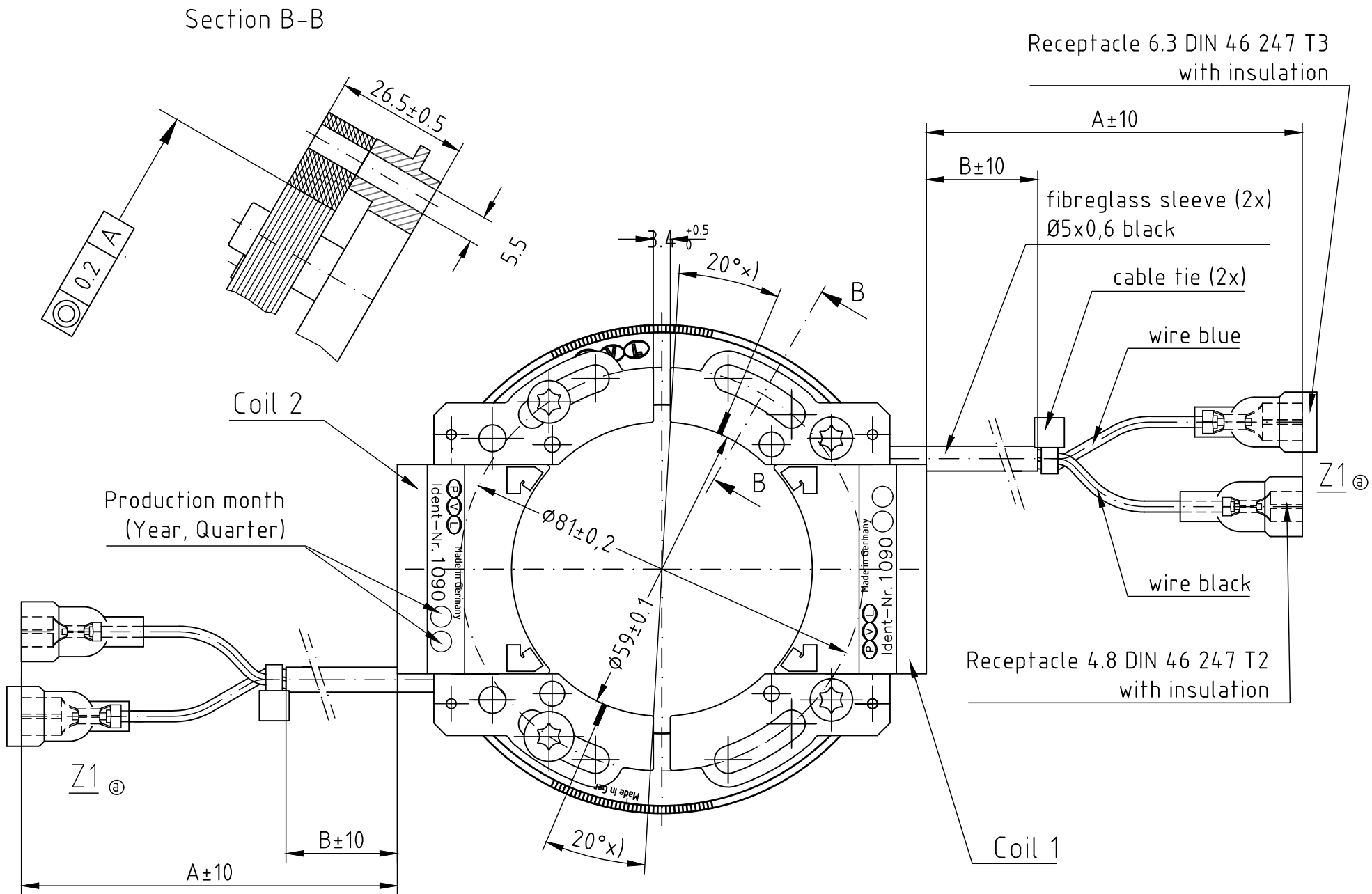


A-V	X	PVL-Allersburg
Entw.-Leitung	-	PVL-Pressig
Fert.-Leitung	-	PVL-Formenbau
Qualitätssicherung	X	PVL-Siegenheim
Verkauf	X	Labor
Einkauf	X	Lager



Cylinder screw flat Torx
M5x20
Mat.: St
Surface: Zn, blue chromated
PVL-E-Techn. -Nr. 1 700 006
Tightening torque: 4-6 Nm



#) = ignition timing mark for clockwise rotation ↻
x) = ignition timing mark for counter-clockwise rotation ↻

x) = ignition timing by 10.000RPM

Mounting plate	0001238
Coil	
Cu-wire	∅0,15 W210 Grad 2 [LL]
No. Of turns	5000
Wires	
Material	SILkal-180-Sif-1mm ²
Length A[mm]	800
Coil beg.	wire blue
Coil end	wire black
Length B[mm]	730

Permissible deviation for dimensions without tolerance indication ±0.5mm; ±1°		Werkstoff:	
Bearb.	11.10.17	Datum	Name
Gepr.	11.10.17	KI /NG	St
Norm		Stator kompl.	
PVL Electronic 90556 Cadolzburg		458-1090	
a Ignition timing Mark R&L 17.04.19 St		Art.Nr.: 500890	
Zust.	Anderung	Datum	Name

Maßstab:
1:1